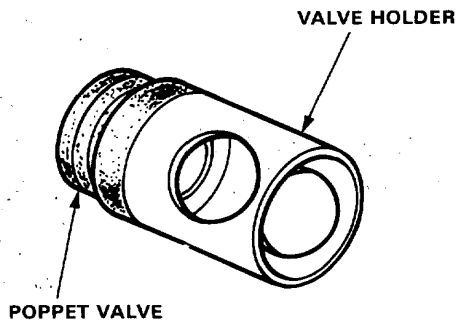


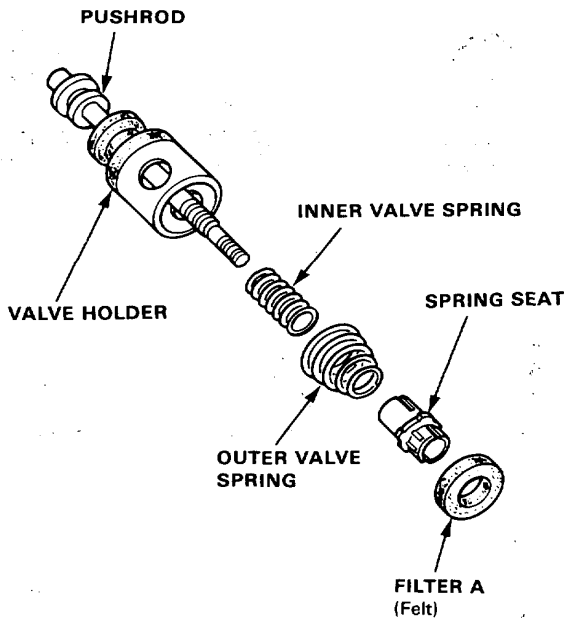
Brake Booster

Reassembly

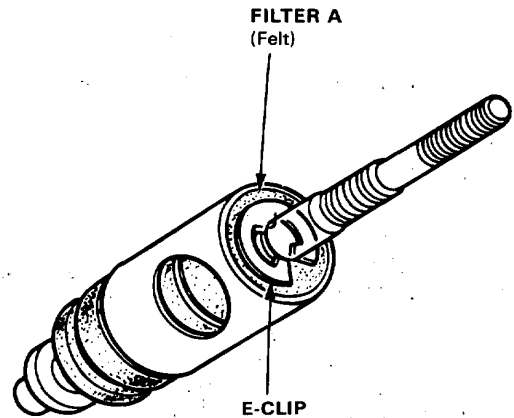
1. Install the poppet valve on the valve holder.



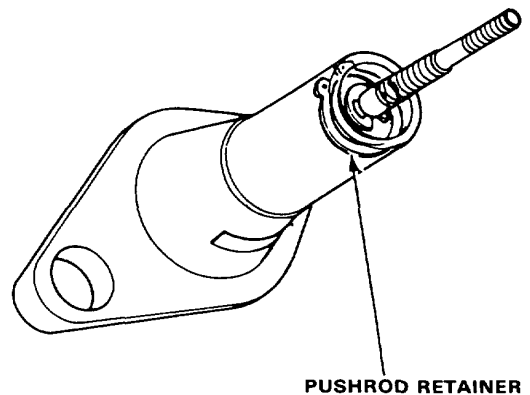
2. Install the valve holder, inner valve spring, outer valve spring and spring seat on the pushrod.



3. Install the filter A and E-clip on the pushrod.

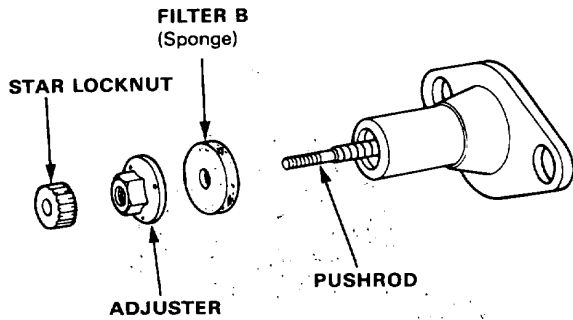


4. Apply silicone grease to the inner and outer surfaces of the valve body tube. Press the pushrod assembly into the valve body tube, and install the pushrod retainer.

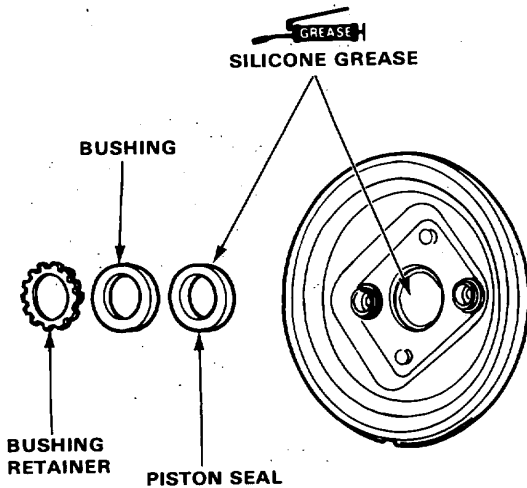




5. Slip the filter B (sponge) over the end of the pushrod. Thread the adjuster and star locknut onto the pushrod but do not tighten.



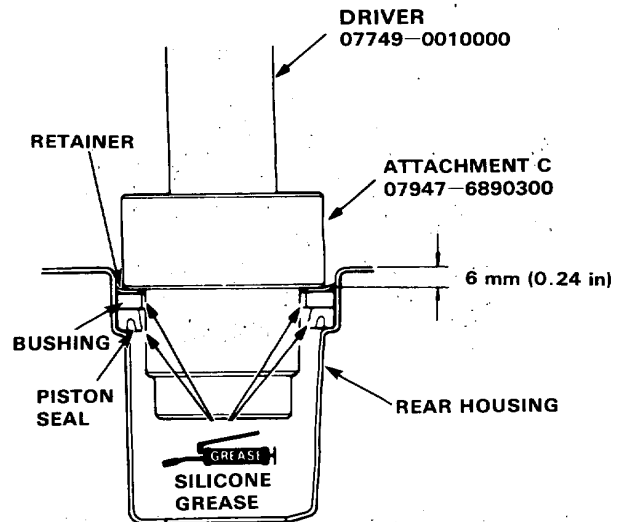
6. Apply silicone grease to the piston seal, then set the seal in position on the housing.



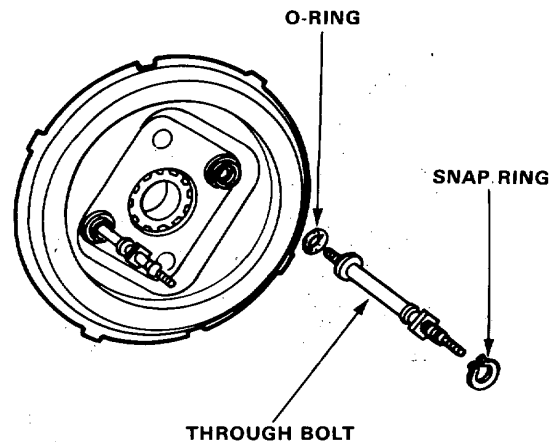
NOTE: Make sure the lip of the seal is facing in, as shown in drawing below.

7. Install the piston seal and bushing in the rear housing, and gently drive the retainer in until it is 6 mm below the edge of the rear housing.

CAUTION: If you drive in the retainer more than 6 mm, you may distort the piston seal.



8. Install both through bolts, using the O-rings and snap rings.

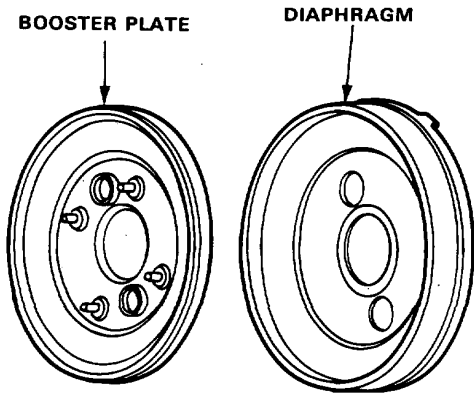


(cont'd)

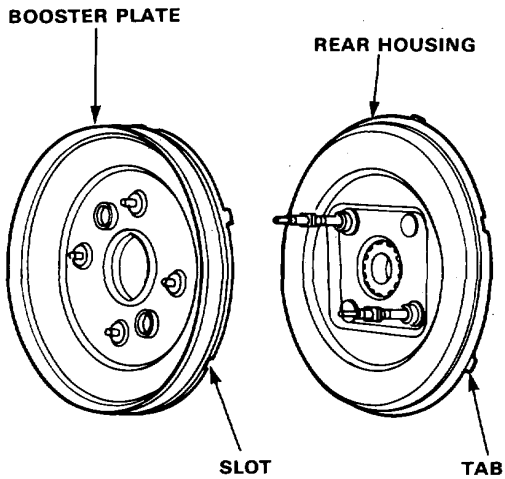
Brake Booster

Reassembly (cont'd)

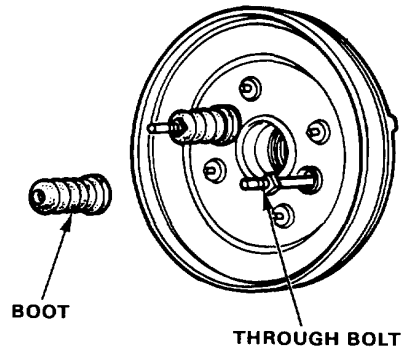
9. Install the diaphragm on the booster plate.



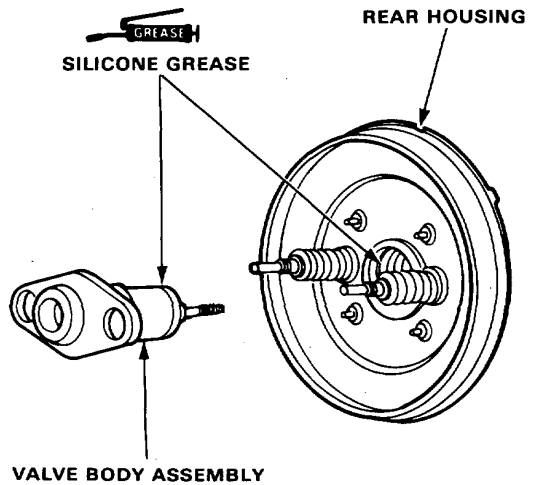
10. Attach the booster plate to the rear housing, aligning their tabs and slots.



11. Install the boots on the through bolts.

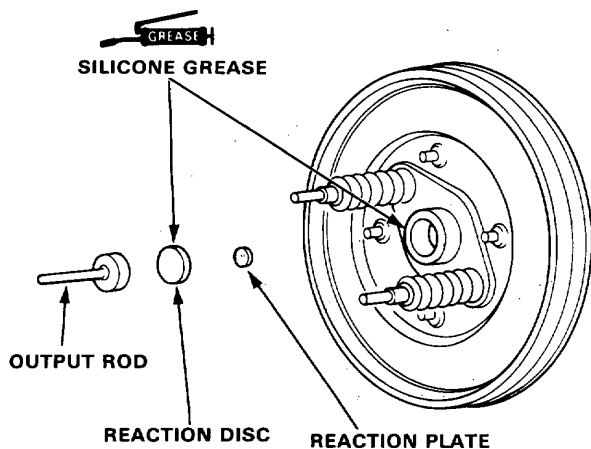


12. Apply silicone grease to the bore of the rear housing and the outer surface of the valve body assembly. Install the valve body assembly in the rear housing.

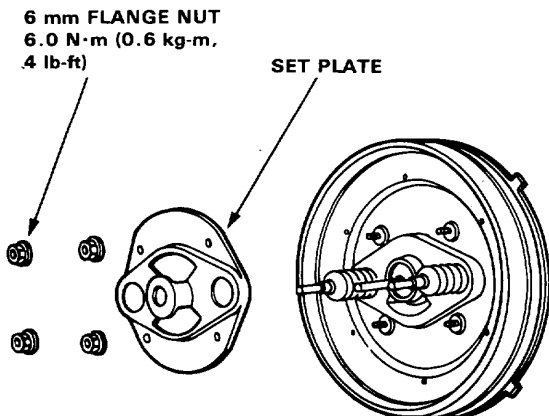




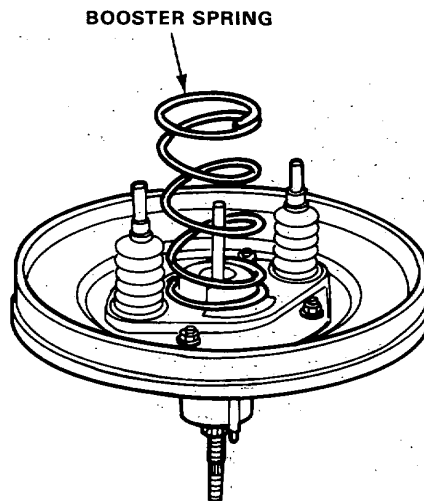
13. Apply silicone grease to the bore of the valve body, then install the reaction plate, reaction disc and output rod.



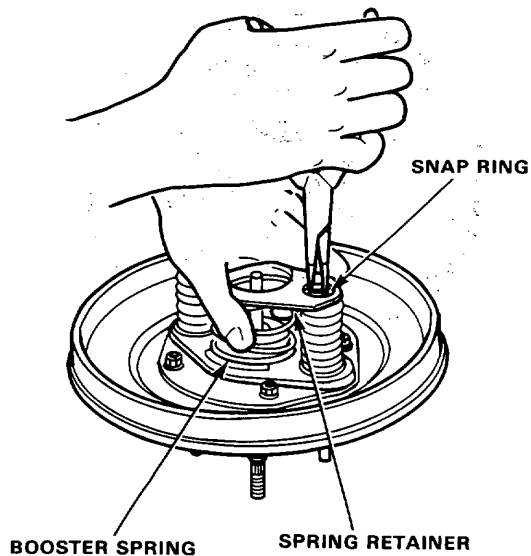
14. Install the set plate, and tighten the four 6 mm flange nuts.



15. Install the booster spring.



16. Install the spring retainer on the through bolts, aligning the square portions of the bolts and retainer.
17. Secure the spring retainer by compressing the booster spring, and installing the snap rings on the through bolts.



(cont'd)