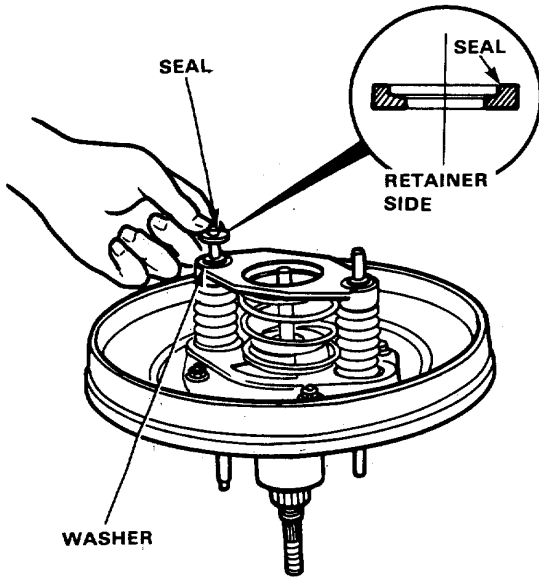


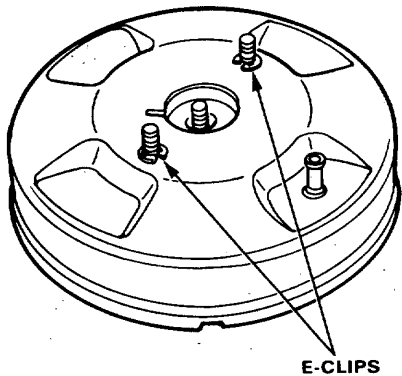
# Brake Booster

## Reassembly (cont'd)

18. Install the washers and seals.



19. Assemble the front and rear housings.  
Press down on the front housing, then install the E-clips on the through bolts.



## Pushrod Adjustment

Install the locknut and pushrod yoke on the pushrod, and adjust the pushrod length as shown.

