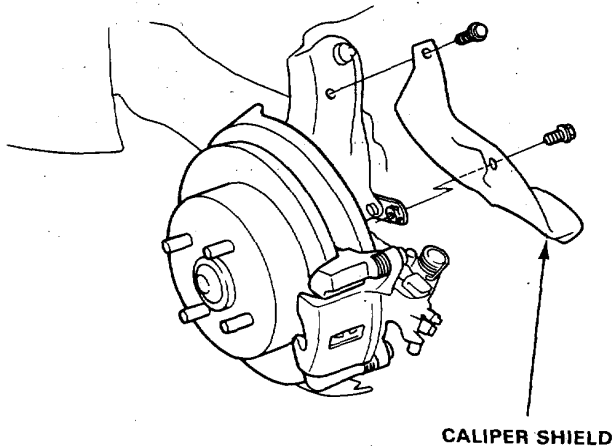


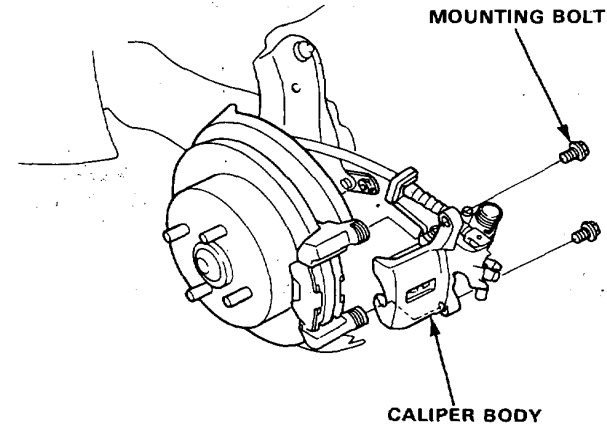
Rear Brake Pad/Disc

Inspection and Replacement

1. Block the front wheels; support the rear of the car on safety stands, then remove the rear wheels.
2. Remove the caliper shield.

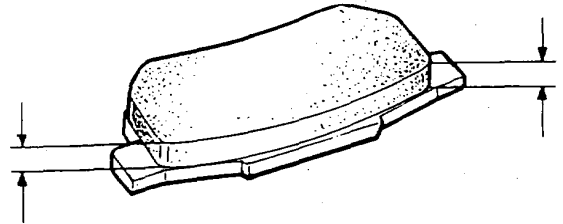


3. Remove the two caliper mounting bolts and the caliper from the bracket.

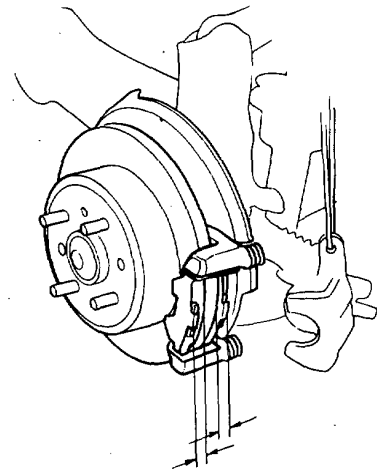


4. Remove the pads and measure the thickness of each brake pad lining using a vernier caliper.

Brake Pad Thickness:
Standard: 8.0 mm (0.31 in)
Service Limit: 1.6 mm (0.06 in)



5. If the lining thickness is less than service limit, replace the brake pads as a set.



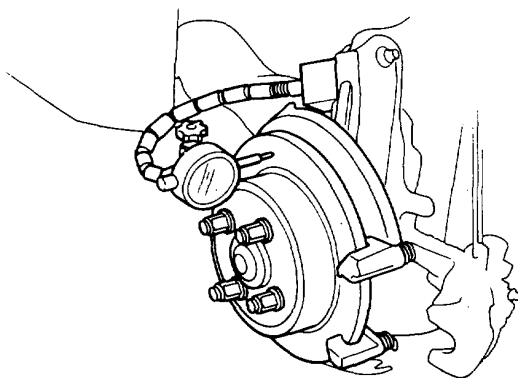


6. Inspect the disc surface for grooves, cracks, and rust. Clean the disc thoroughly and remove all rust.
7. Mount a dial indicator as shown and measure the runout at 10 mm (0.39 in) in from the outer edge of the disc.

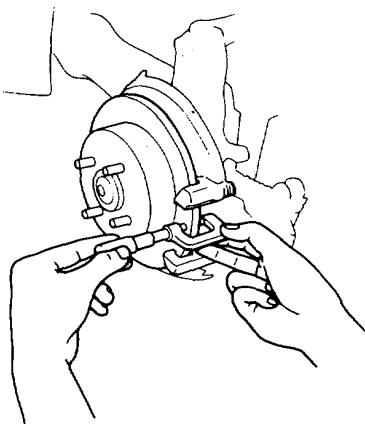
CAUTION: Use wheel nuts and 3 mm thickness washers to hold the disc securely.

Brake Disc Run-out:
Service Limit: 0.15 mm (0.006 in)

8. Resurface or replace the brake disc if beyond the service limit.



9. Using a micrometer, measure the rear brake disc thickness at eight points, approximately 45° apart and 10 mm (0.39 in) in from the outer edge of the disc.

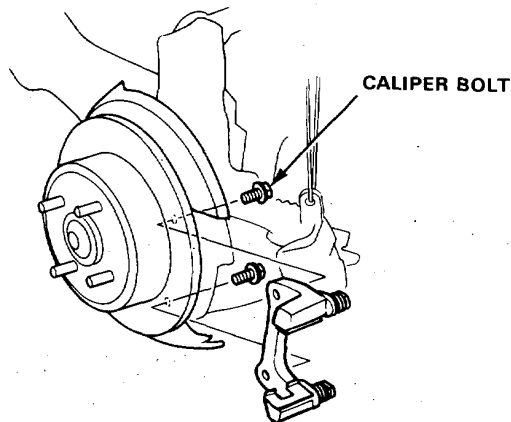


10. Replace the disc if it exceeds the following service limits.

Brake Disc Thickness:
Standard: 10.0 mm (0.39 in)
Service Limit: 8.0 mm (0.31 in)

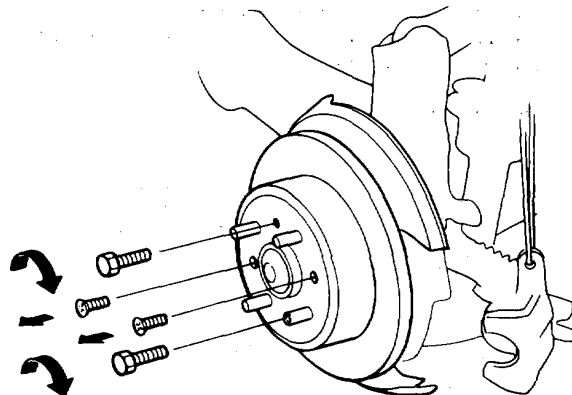
Brake Disc Parallelism:
The difference between any thickness measurements should not be more than 0.015 mm (0.0006 in).

11. Remove the two caliper bracket mounting bolts and caliper bracket.



12. Remove the two 6 mm screws and brake disc.

NOTE: If the brake disc is difficult to remove, install 8 mm bolts into the threaded holes and tighten them.

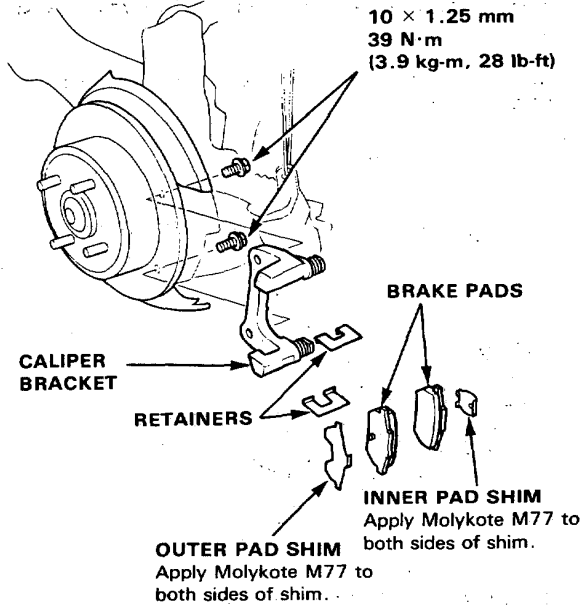


(cont'd)

Rear Brake Pad/Disc

Inspection and Replacement (cont'd)

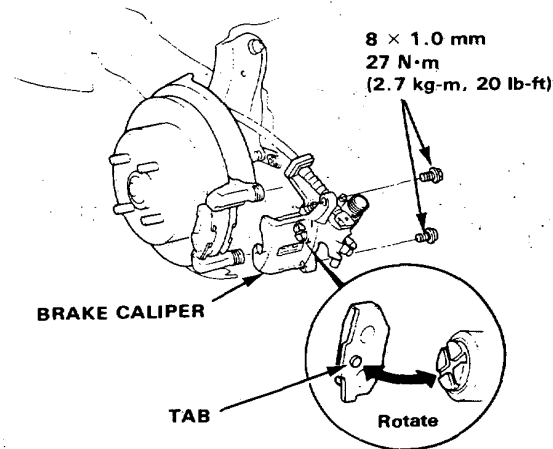
13. Install the new or resurfaced brake disc.
14. Clean the caliper bracket and retainers, then install the caliper bracket with two bolts and retainers.
15. Install the new brake pads and pad shims onto the caliper bracket.



16. Rotate the caliper piston clockwise into place in the cylinder, then align the cutout in the piston with the tab on the inner pad by turning back the piston back.

CAUTION: Lubricate the boot with silicone grease to avoid twisting the piston boot. If the piston boot is twisted, back it out so it sits properly.

17. Install the brake caliper.



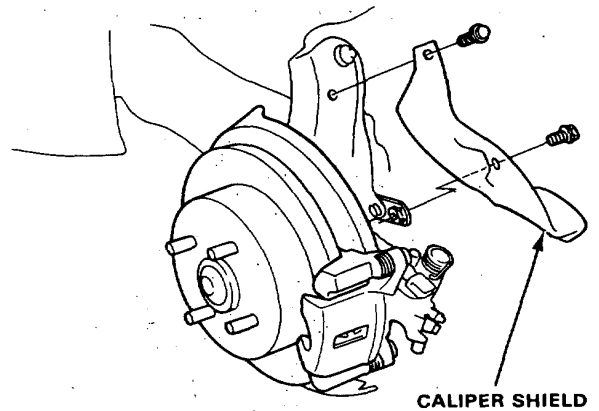
Rear Caliper

Disassembly

CAUTION:

- Make sure all parts are clean before reassembly.
- Use only new replacement parts.
- Use only new clean brake fluid.
- Do not allow dirt or other foreign matter to contaminate the brake fluid.
- Do not mix different brands of brake fluid.
- Avoid spilling brake fluid on painted, plastic or rubber surfaces as it can damage to finish. Wash spilled brake fluid off immediately with clean water.

1. Remove the caliper shield.



2. Disconnect the parking brake cable from the lever on the caliper by removing the cotter pin and lockpin and clip.

