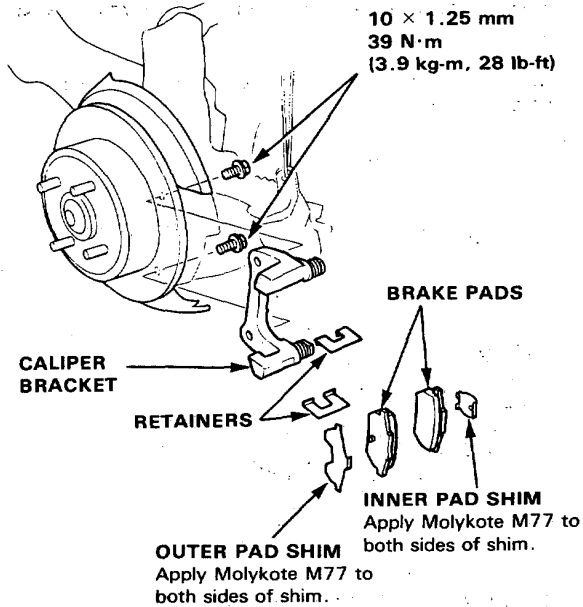


Rear Brake Pad/Disc

Inspection and Replacement (cont'd)

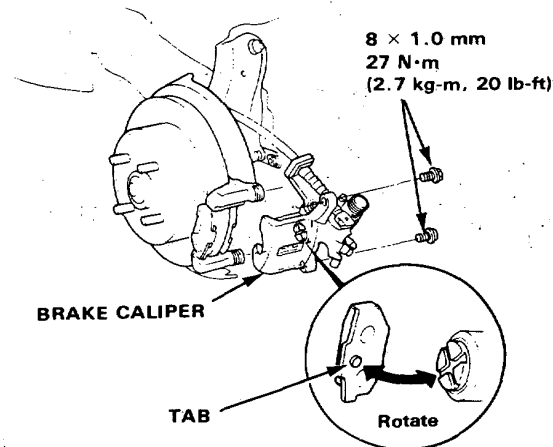
13. Install the new or resurfaced brake disc.
14. Clean the caliper bracket and retainers, then install the caliper bracket with two bolts and retainers.
15. Install the new brake pads and pad shims onto the caliper bracket.



16. Rotate the caliper piston clockwise into place in the cylinder, then align the cutout in the piston with the tab on the inner pad by turning back the piston back.

CAUTION: Lubricate the boot with silicone grease to avoid twisting the piston boot. If the piston boot is twisted, back it out so it sits properly.

17. Install the brake caliper.



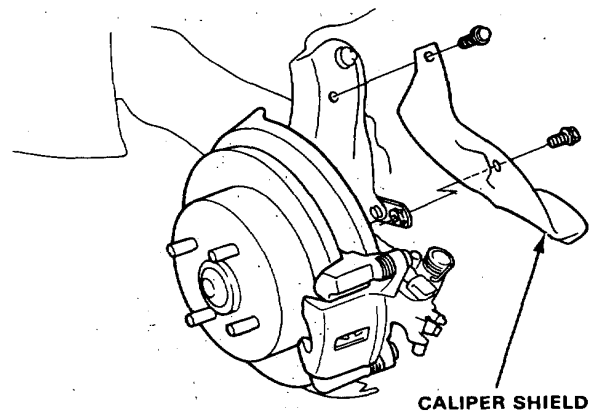
Rear Caliper

Disassembly

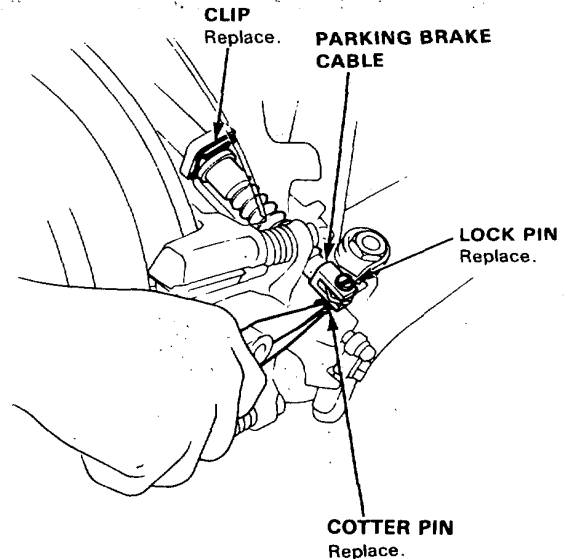
CAUTION:

- Make sure all parts are clean before reassembly.
- Use only new replacement parts.
- Use only new clean brake fluid.
- Do not allow dirt or other foreign matter to contaminate the brake fluid.
- Do not mix different brands of brake fluid.
- Avoid spilling brake fluid on painted, plastic or rubber surfaces as it can damage to finish. Wash spilled brake fluid off immediately with clean water.

1. Remove the caliper shield.



2. Disconnect the parking brake cable from the lever on the caliper by removing the cotter pin and lockpin and clip.

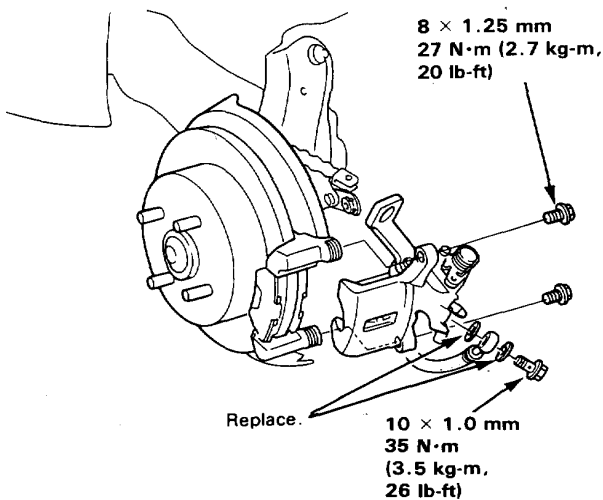




3. Remove the banjo bolt and disconnect the brake hose from the caliper.
4. Remove the two caliper mounting bolts and the caliper from the bracket.

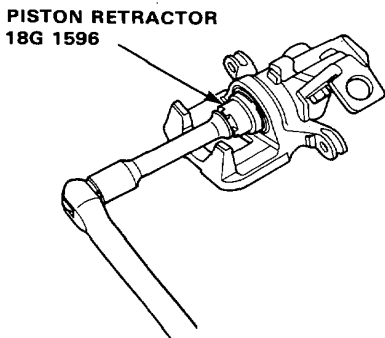
CAUTION:

- Thoroughly clean the outside of the caliper to prevent dust and dirt from entering inside.
- Plug the end of the brake hose to prevent brake fluid from flowing out.

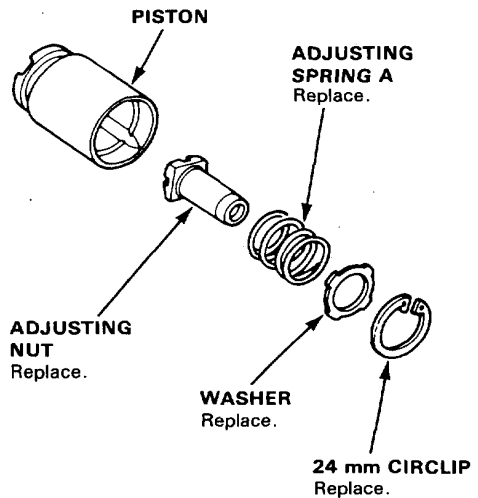


5. Remove the pad spring from the caliper.
6. Remove the piston and piston boot while rotating the piston.

CAUTION: Avoid damaging the piston and piston boot.

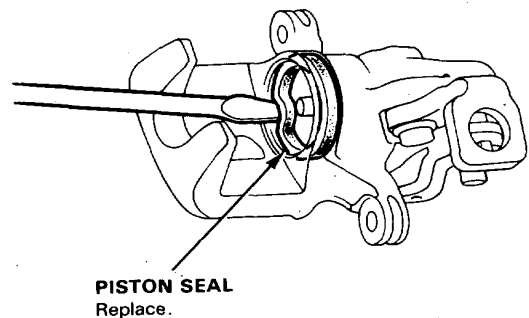


7. Remove the circlip, then washer, adjusting spring A, and the adjusting nut from the piston.



8. Remove the piston seal.

CAUTION: Take care not to damage the cylinder bore.

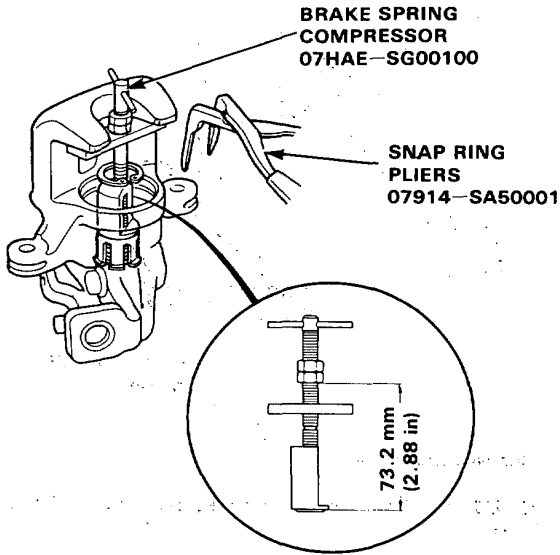


(cont'd)

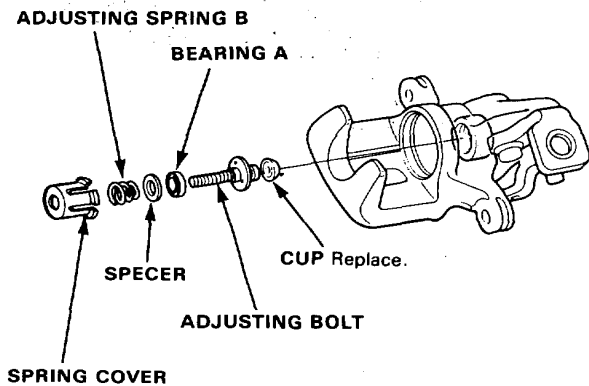
Rear Caliper

Disassembly (cont'd)

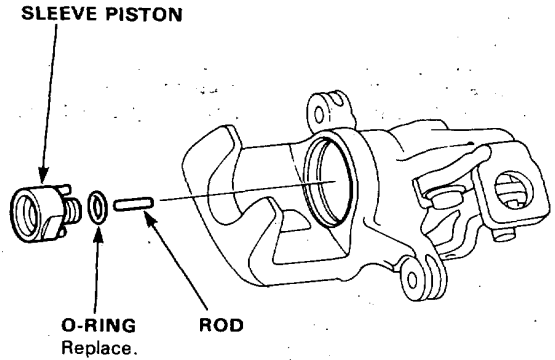
9. Install the special tool between the caliper body and spring guide as shown.
10. Compress the adjusting spring B by turning the shaft of the special tool, then remove the circlip with snap ring pliers.



11. Remove the brake spring compressor from caliper body.
12. Remove the spring cover, adjusting spring B, spacer, bearing A, adjusting bolt and cup.



13. Remove the sleeve piston, then remove the rod from the cam.



14. Remove the return spring, parking nut, spring washer, lever, cam and cam boot.

