

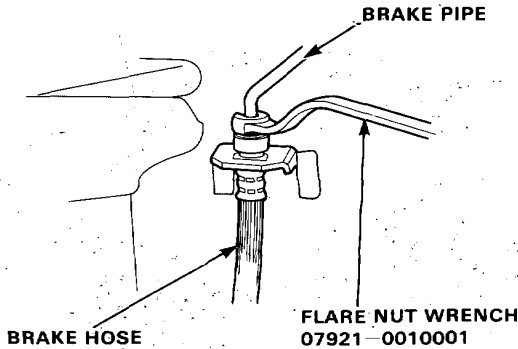
Brake Hose/Pipes

Brake Hoses Replacement

CAUTION:

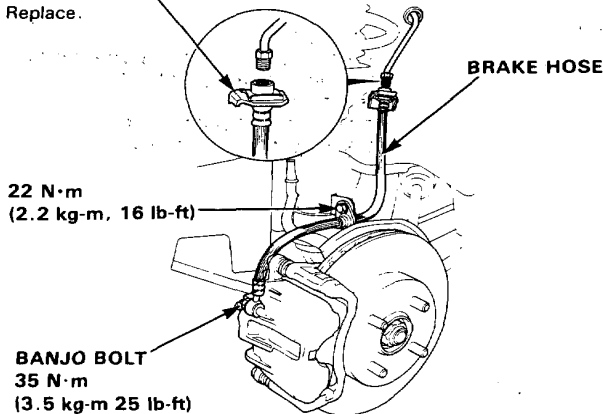
- Before reassembling, check that all parts are free of dust and other foreign particles.
- Replace parts with new ones whenever specified to do so.
- Use only clean brake fluid.
- Make sure no dirt or other foreign matter is allowed to contaminate the brake fluid.
- Do not mix different brands of brake fluid as they may not be compatible.
- Do not spill brake fluid on the car, it may damage the paint; if brake fluid does contact the paint, wash it off immediately with water.

1. Replace the brake hose if the hose is twisted, cracked or if it leaks.
2. Disconnect the brake hose from the brake pipe using a 10 mm flare nut wrench.

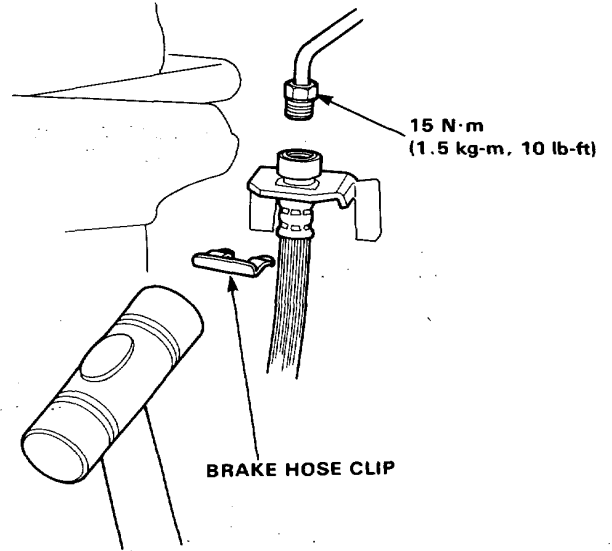


3. Remove and discard the brake hose clip from the brake hose.
4. Remove the banjo bolt and disconnect the brake hose from the caliper.
5. Remove the brake hose clamp bolt and brake hose.

BRAKE HOSE CLIP Replace.



6. Install a new brake hose clip to the brake hose.
7. Connect the brake pipe to the brake hose.



8. Connect the brake hose to the caliper.
9. Install the brake hose clamp-bolt.
10. After installing the brake hose, check the hose and line joints for leaks, and tighten if necessary.